

- 可提供工业级、军品级产品 both industrial and military level products available
- 多指刷专利号 Patent No. of the multi-finger brush: ZL 96 2 33419.7
- 适用于电子仪器仪表线路中作微调电阻和分压器使用 used as trimmer and voltage divider in electronic instrument and meters

### WIW21(3006P)型玻璃釉预调电位器 WIW21 (3006P) Cermet trimmer

#### ■ 适用标准 Applicable specifications

- GB/T 15298-94 电子设备用电位器 第一部分: 总规范
- Q/RU130-1995 WIW21 型玻璃釉预调电位器详细规范

#### ■ 电特性 Electrical characteristics

- 标称阻值范围 Range of nominal resistance ( $\Omega$ ): 10~2.2M
- 阻值允许偏差 Resistance tolerance:  $\pm 10\%$ ,  $\pm 20\%$
- 终端电阻 Terminal resistance:  $\leq 2\Omega$
- 接触电阻变化 Contact resistance variation:  
CRV  $\leq 1\%R$  or  $5\Omega$ (取较大者, whichever greater)
- 绝缘电阻 Insulation Resistance:  $R_i \geq 1G\Omega(100V_{DC})$
- 耐电压 Dielectric withstand voltage:  $640 V_{AC}$
- 极限动触点电流 limiting moving contact current: 100mA
- 有效电行程 Effective Electrical travel:  $\geq 12$  turns

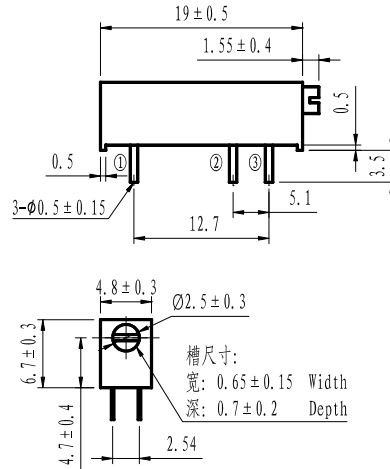
#### ■ 环境特性 Environmental characteristics

- 额定功率 Rated Power  
0.75W@70°C, 0W@125°C
- 温度范围 Temperature range (°C): -55~+125
- 电阻温度系数 TCR:  $\leq \pm 250 \times 10^{-6}/^{\circ}C$
- 碰撞 Bump: 390m/s<sup>2</sup>, 4000times;  
 $\Delta R \leq \pm(2\%R + 0.1\Omega)$
- 温度变化 Change of temperature  
-55°C, 30min, +125°C, 30min, 5 times;  
 $\Delta R \leq \pm(5\%R + 0.1\Omega)$ ,  $\Delta(U_{ab}/U_{ac}) \leq \pm 5\%$
- 振动 Vibration  
0.75mm or 98 m/s<sup>2</sup>, 6h  
 $\Delta R \leq \pm(2\%R + 0.1\Omega)$ ,  $\Delta(U_{ab}/U_{ac}) \leq \pm 3\%$
- 气候顺序 Climate sequence( meet IEC68-2-2 etc.)  
 $\Delta R \leq \pm(5\%R + 0.1\Omega)$ ,  $R_i \geq 100M\Omega$
- 电气耐久性 Electrical endurance  
 $\Delta R \leq \pm(5\%R + 0.1\Omega)$ ,  
CRV  $\leq 5\%R$  or  $5\Omega$ (取较大者, whichever greater)
- 机械耐久性 Mechanical endurance  
200 turns,  $\Delta R \leq \pm(5\%R + 0.1\Omega)$   
CRV  $\leq 5\%R$  or  $5\Omega$ (取较大者)
- 稳态湿热 damp heat, steady heat  
按 IEC68-2-3(as specified in IEC68-2-3), Ca, 96h  
 $\Delta R \leq \pm(5\%R + 0.1\Omega)$ ,  $R_i \geq 100M\Omega$

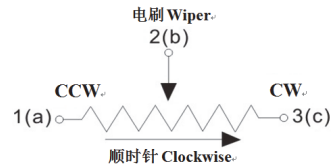
#### ■ 物理特性 Physical characteristics

- 总机械行程 Total mechanical travel: (22 $\pm$ 5) turns
- 启动力矩 Operating torque:  $\leq 35mN \cdot m$
- 标志: 型号、阻值允许偏差 ( $\pm 10\%$ 不标注)、阻值代码  
Marking: Type, Resistance Tolerance (Tolerance is  $\pm 10\%$ , unless otherwise specified), Resistance code
- 标准包装 Standard package: 25pcs/box

#### ■ 外形尺寸图 Dimensions



#### ■ 电路图 Circuit diagram



#### ■ 标称阻值表

Nominal resistance table

阻值( $\Omega$ )Resistance (in ohms)	
10	5K
20	10K
50	20K
100	50K
200	100K
500	200K
1K	500K
2K	1M
	2M
	2.2M

#### ■ 订货指南 Ordering information

3006-P-103

型号 Type - 引出端形式 Style -  
标称阻值 Resistance code